

# SYSTEM ONE®

MODULAR TRUCK EQUIPMENT

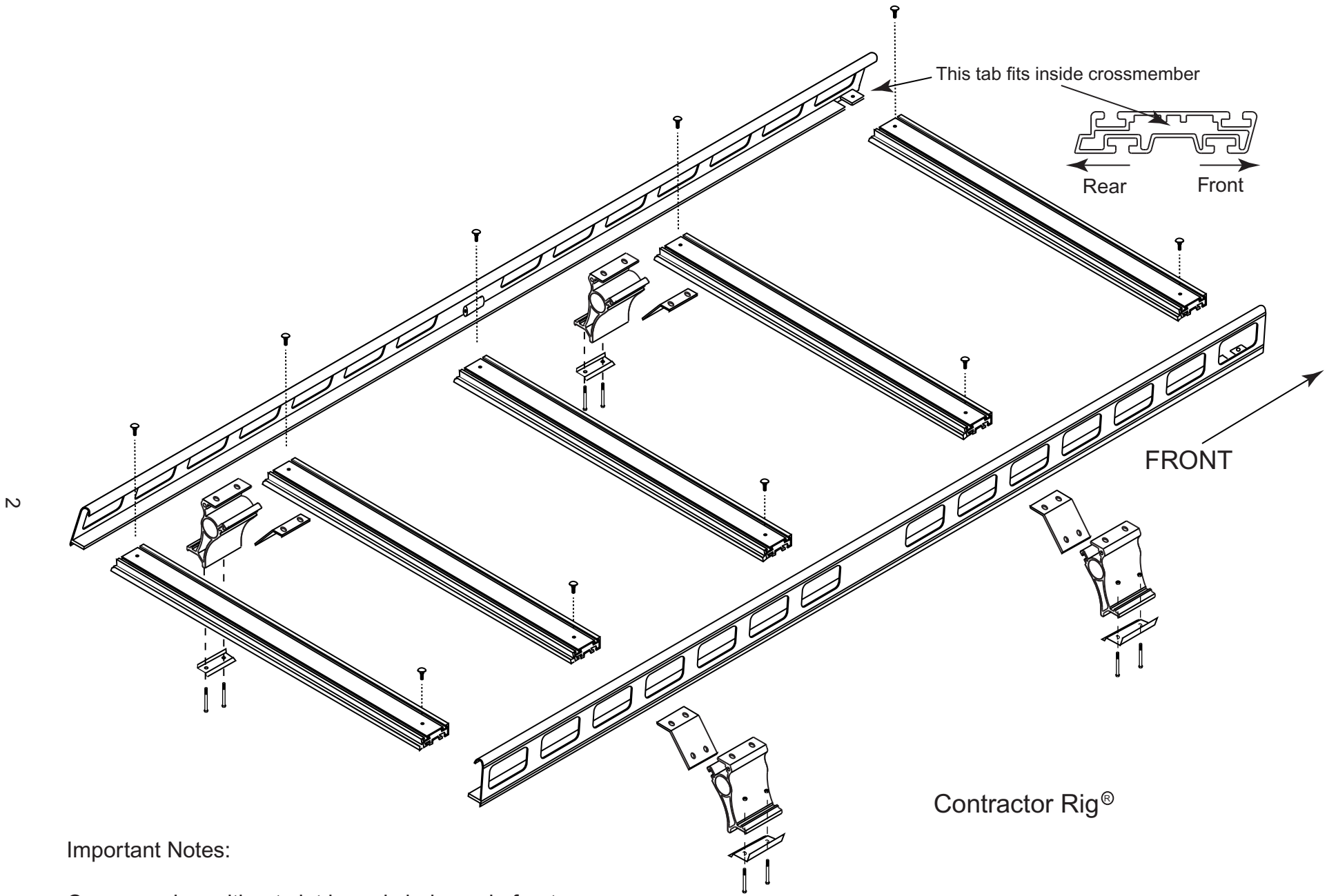
## VAN

ASSEMBLY and INSTALLATION  
INSTRUCTIONS

CONTRACTOR RIG®

and

UTILITY RIG®

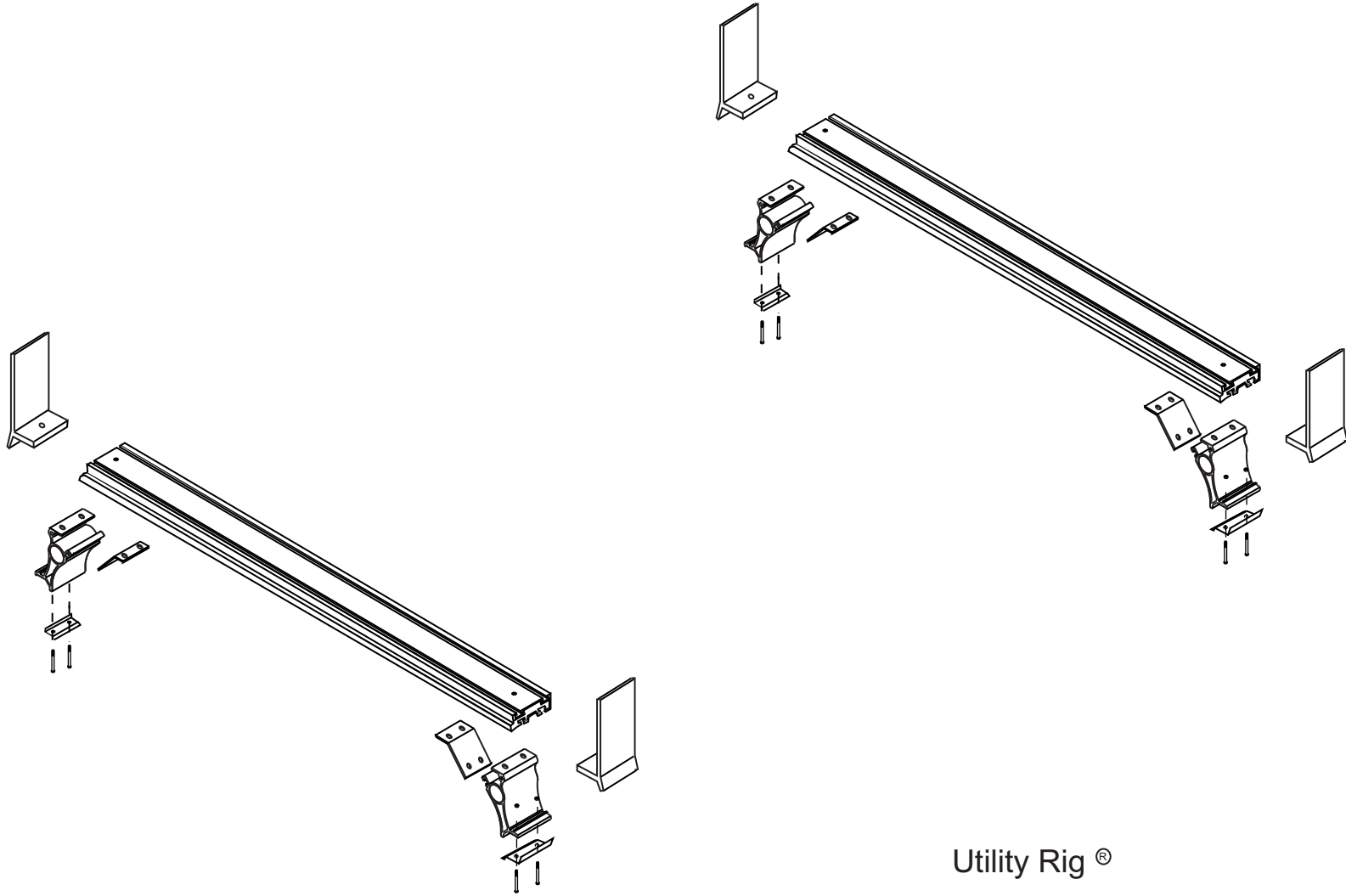


**Important Notes:**

Crossmember without slot in ends belongs in front.  
 Plastic Ladder Glide inserts belong in rear T-slots.

Contractor Rig®

3

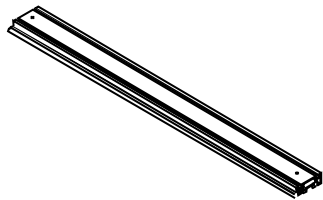


Utility Rig<sup>®</sup>

# The Crossmember Box Contains:

## Contractor Rig®

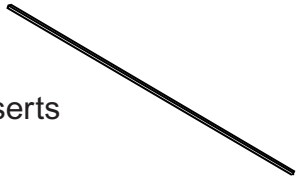
4 Crossmembers  
with slots in ends



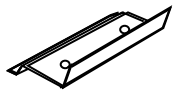
1 Crossmember  
without slot in ends  
(front crossmember)



5 Ladder Glide™ inserts



4 Gutter Clips

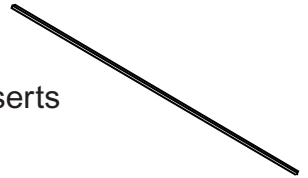


## Utility Rig®

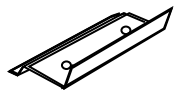
2 Crossmembers  
with slots in ends



2 Ladder Glide™ inserts

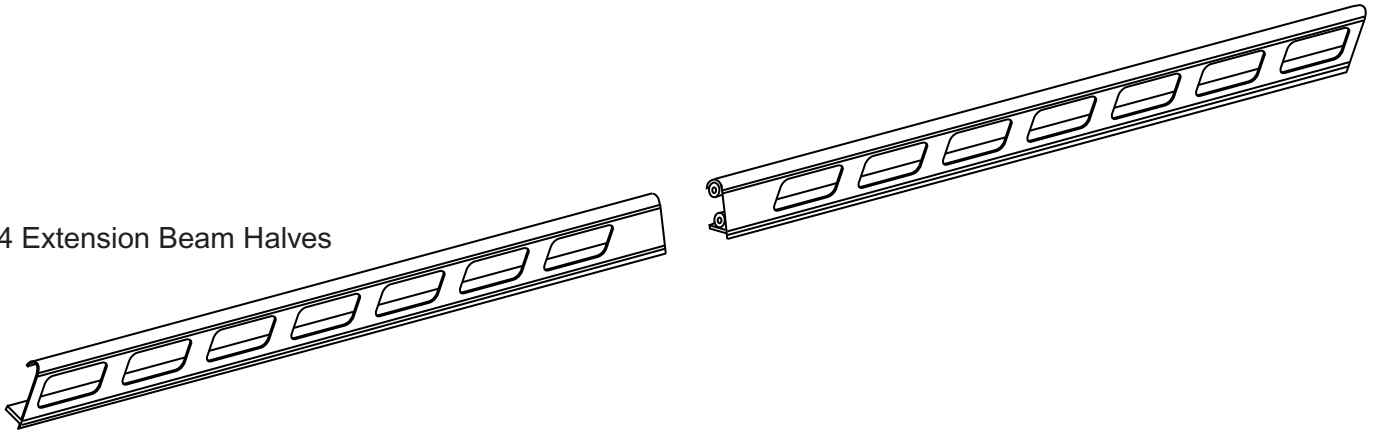


4 Gutter Clips

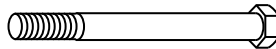


# The Extension Beam Box Contains:

4 Extension Beam Halves



4 4" long x 3/8" stainless bolts



4 3/8" stainless nuts



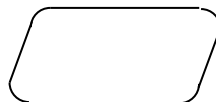
8 3/8" stainless flat washers



4 3/8" stainless lock washers



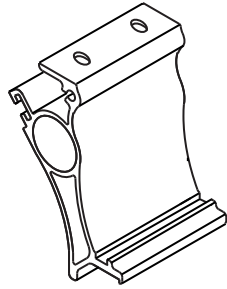
2 Parallelogram Decals (left and right)



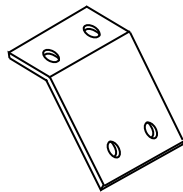
# The Van Bracket Box Contains:


## Contractor Rig<sup>®</sup>


4 I.T.S.<sup>™</sup> Brackets




4 Braces



34 1" long x 5/16" carriage bolts 

34 5/16" stainless lock washers 

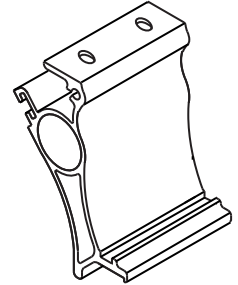
34 5/16" stainless nuts 

8 1/4" stainless bolts 

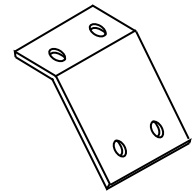
8 1/4" stainless lock nuts 


## Utility Rig<sup>®</sup>

4 I.T.S.<sup>™</sup> Brackets




4 Braces



28 1" long x 5/16" carriage bolts 

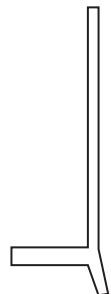
28 5/16" stainless lock washers 

28 5/16" stainless nuts 

8 1/4" stainless bolts 

8 1/4" stainless lock nuts 

4 Side stops

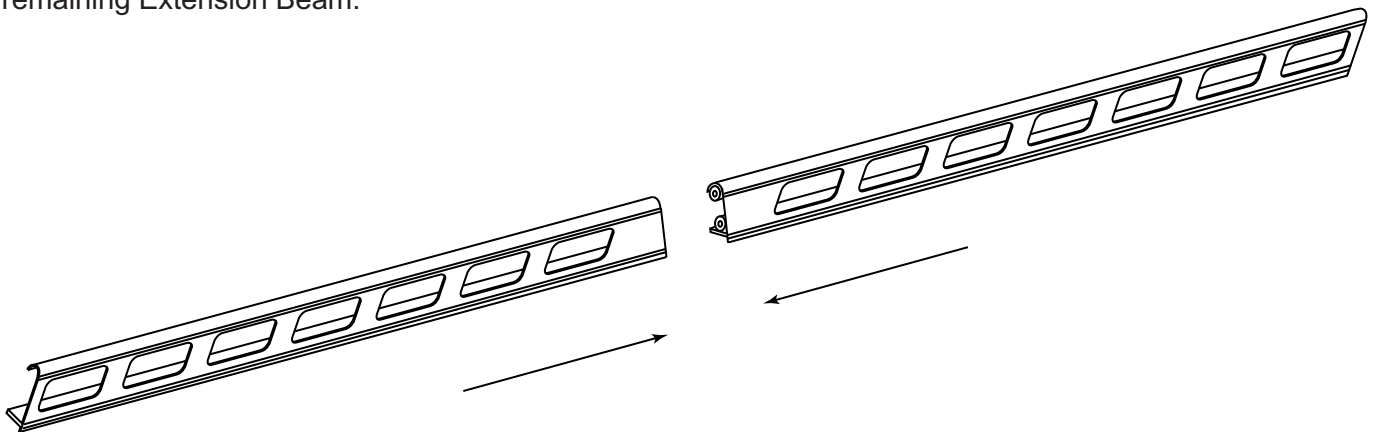


# ASSEMBLY and INSTALLATION INSTRUCTIONS

Utility Rigs follow steps 3 - 9

## 1. Assemble Extension Beam Halves

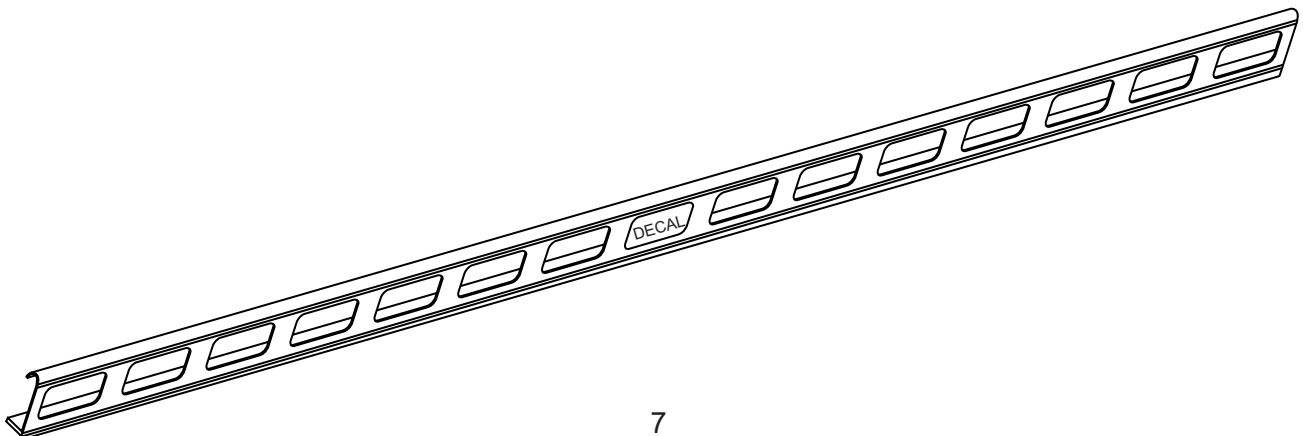
You will need a smooth clean surface where you can bolt together the halves of the Extension Beams (ie. cardboard, paper, plastic). Locate a matching pair of Extension Beams (all holes leaning the same way) and place them end to end so that the welded-in splice blocks touch each other and the holes in the splice blocks align. Slide a 3/8" flat washer on the 4" bolt and insert the bolt through the splice blocks, then install a flat washer, then lock washer, then nut, in that order. Repeat the procedure for the other hole, align Extension Beam halves so that the outside surfaces meet smoothly, and then tighten nuts. Repeat the procedure for the remaining Extension Beam.



## 2. Install Decal Over Splice Joint

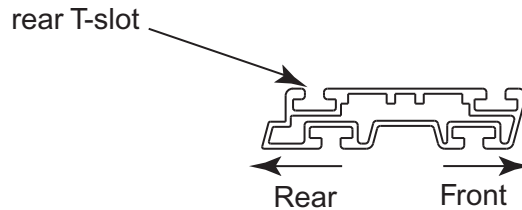
Important! There are left and right decals! Decal must lean forward just like Extension Beam holes do!

Position the decal accurately so that it repeats the punched hole pattern. Although the decal can be installed dry, the "wet method" makes the job much easier. Just add 10 or 12 drops of dish washing liquid to a glass of water, pull off the decal backing, wet the decal and the Extension Beam and apply the decal centered between holes over the splice joint. This wet method allows you to slide the decal around to position it correctly. When correctly positioned, force out excess water with fingers or a sponge. The decal will ultimately adhere with just as much "grip" as the dry method would but without the risk of misalignment, bubbles, creases etc.



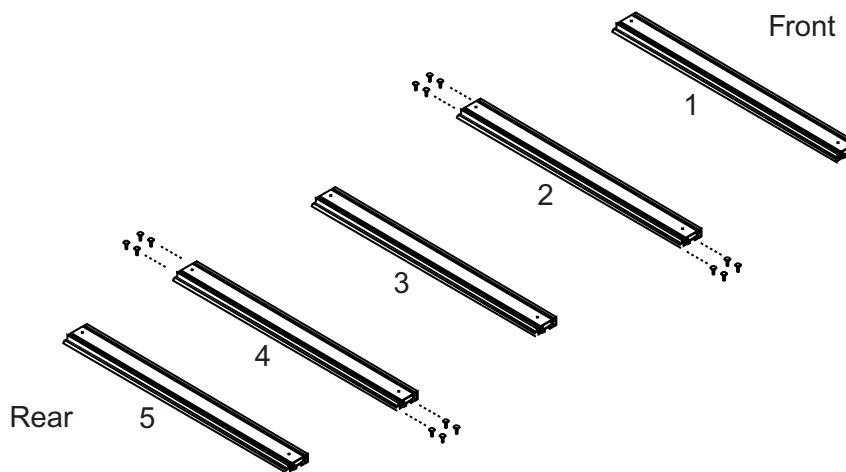
### 3. Install plastic Ladder Glide™ inserts

Slide a plastic insert into the rear T-slot on each crossmember (see diagram).



### 4. Install bracket mounting bolts in crossmembers

Establish crossmember order now. The crossmember without the slots in the ends is the front crossmember. Lay out the crossmembers in order and make sure that their front surfaces face front (ladder glide inserts to the rear). On the underside of crossmembers 2 and 4 slide 2 carriage bolts into each of the T-slots on each end (that's 8 bolts total in the underside of these 2 crossmembers).



### 5. Add bolts now for any accessories to be used in crossmembers

### 6. Assemble Extension Beams and Crossmembers (see diagram next page)

A. Install front crossmember first. This is the one WITHOUT the slots in each end. The 2" wide tab on the front ends of the Extension Beams fit inside this crossmember.

B. The next crossmember from the front, #2, has the bracket mounting bolts in the underside, and is positioned behind the front crossmember on the next set of holes.

C. The middle crossmember, #3, has no bracket mounting bolts, and is positioned on the pair of holes just behind the splice (the center of the Extension Beam).

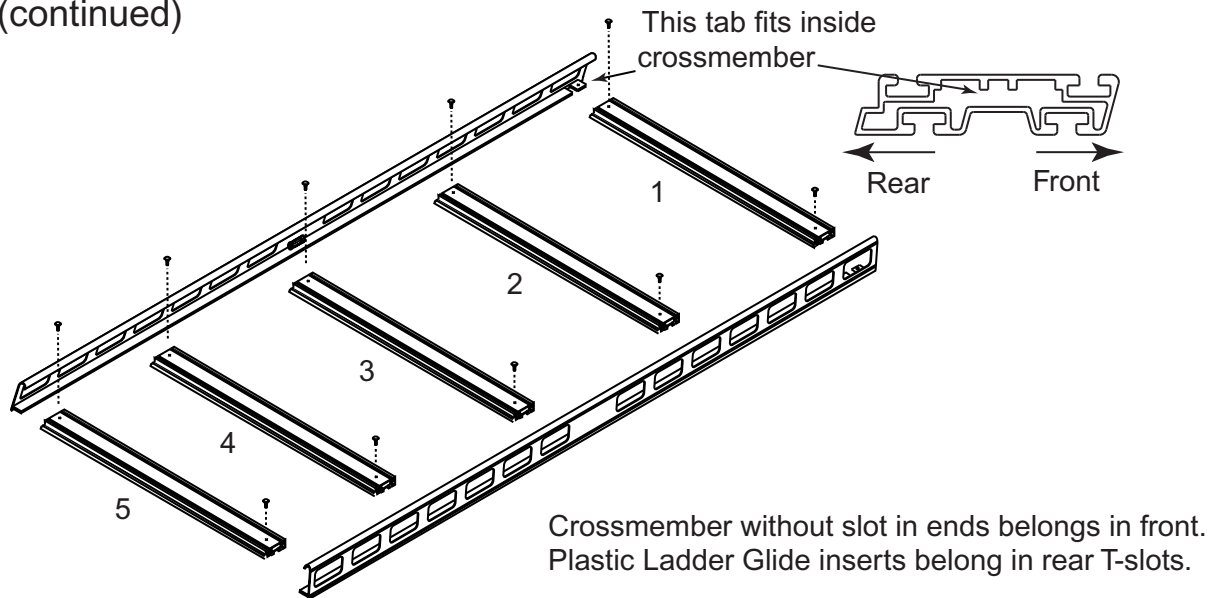
D. The 4th crossmember has the bracket mounting bolts in the underside, and is positioned in the next pair of holes toward the rear.

E. The rear crossmember, #5, has no bracket mounting bolts in its underside, and is positioned on the rearmost pair of holes. Make sure that the crossmember is flush with the rear edge of the Extension Beam.

Install carriage bolts, lock washers and nuts on all 10 of the above bolts and tighten.



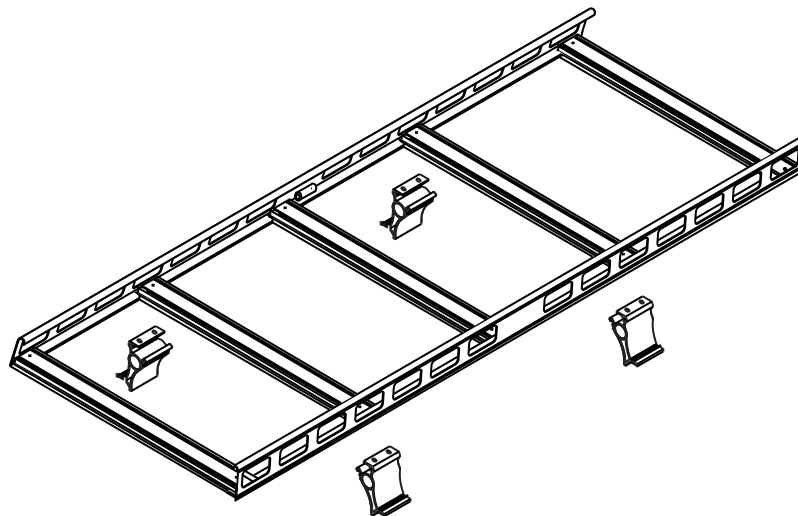
## 6. (continued)



For Utility Rigs, install the side stops into the slots at the end of each of the crossmembers. Install carriage bolts, lock washers and nuts and then tighten.

## 7. Install brackets on crossmembers

Install brackets (without braces) on the outermost pair of mounting bolts of the 2nd and 4th crossmembers. Leave these loose, they will need to be adjusted when mounting on the van.

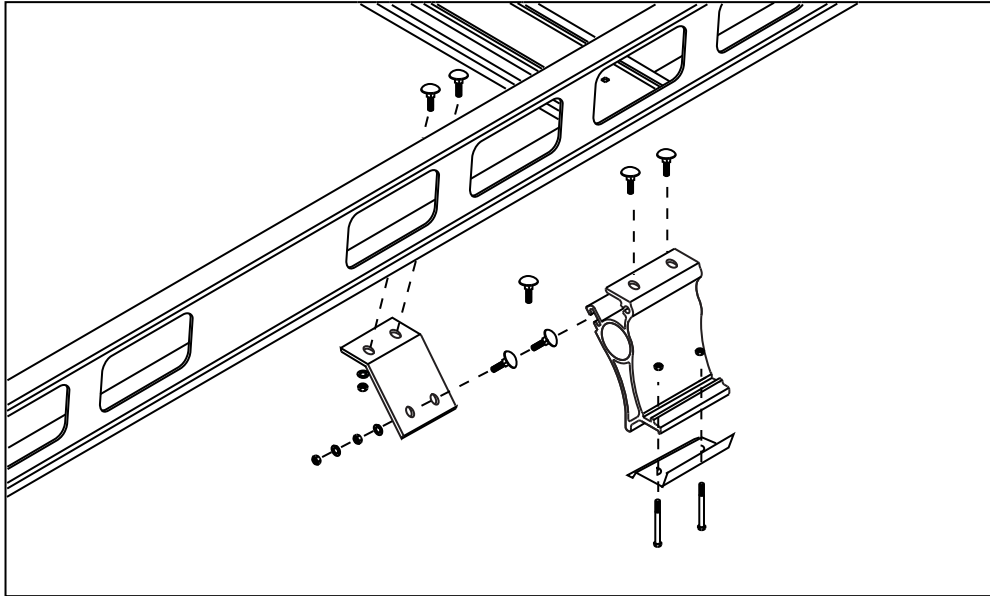


## 8. Mount rack on truck

Carefully set rack in position on van roof with brackets resting in gutters. Adjust front-to-rear position so rack looks proper on the truck. Now adjust the brackets so that the crossmembers sit flat on the top surfaces and so that the crossmembers overhang equally on both sides. Install lock washers and nuts and tighten the brackets to the crossmembers.

## 9. Install Braces

Slide 2 carriage bolts into the T-slot on each bracket. Install a brace over the 2 bolts on the crossmember and over the 2 bolts on the bracket at the same time. Do not use excessive force - instead wiggle and slide the bolts in the crossmember until the brace is in place. Install lock washers and nuts and tighten.



## 10. Install gutter clips

Refer to diagram below for proper clip. Install clip as shown below with the lower edge of the clip under the gutter and with the top edge placed inside the down turned lip of the bracket. Place 1/4" locknuts in the recess on the top surface of the bracket flange and insert 1/4" bolt upward through the clip, bracket flange and into the nut and tighten.



Clip for all vans except 1996 and newer Chevy



Clip for 1996 and newer Chevy

